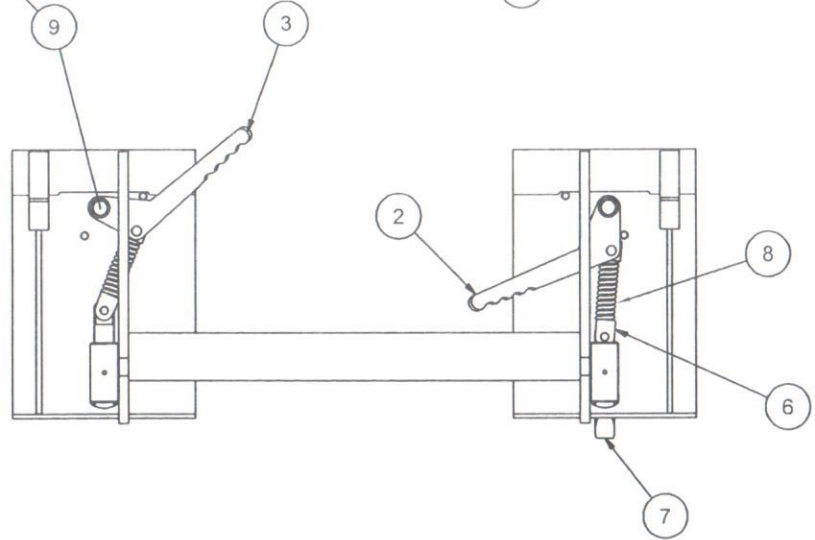
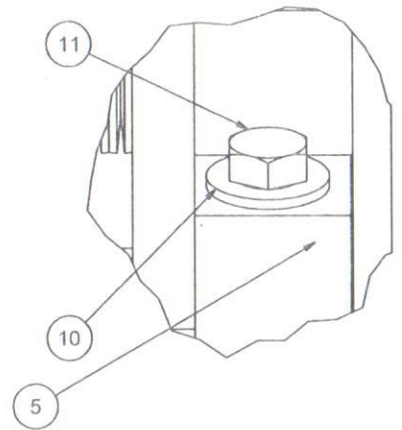


Handle



Parts List			
ITEM	QTY	PART NUMBER	DESCRIPTION
2	1	832546	Lever, RH
3	1	832547	Lever, LH
4	6	2502024	Washer, Belleville 5/8"
5	2	832564	Pivot Block
6	2	832566	Spring Rod Assembly
7	2	832565	Lock Pin
8	2	832567	Spring
9	2	2503152	Bolt, Hex 5/8-11 x 2 G5 PI
10	2	2501004	Washer, Plain 3/8" PI
11	2	2503338	Bolt, Hex 7/16-14 x 1 G5 PI