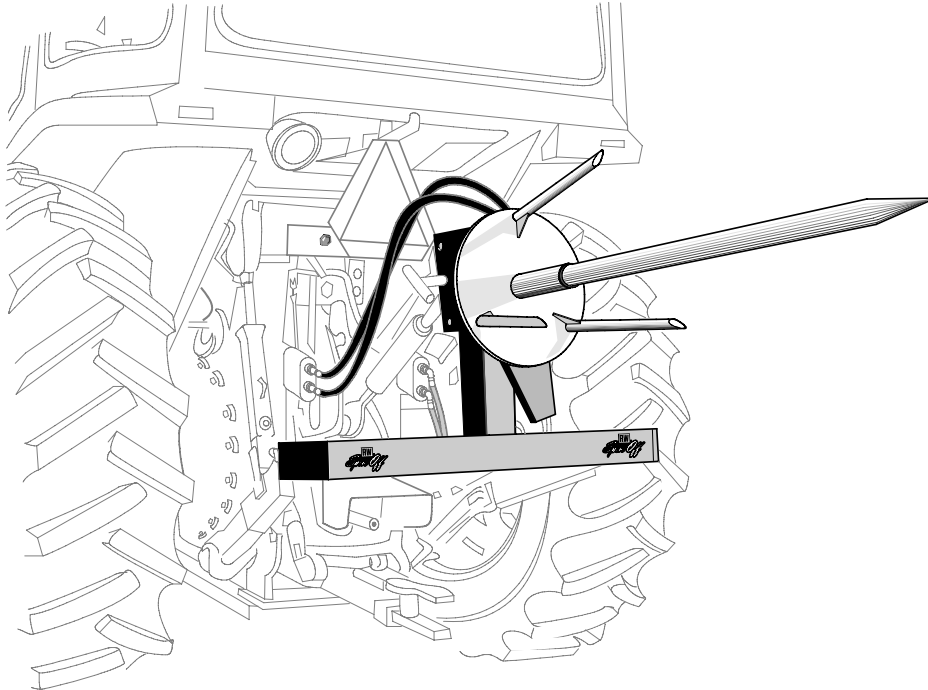




ROUND BALE FEEDER

MODEL NUMBER SO 88000



RW SPINOFF OPERATION MANUAL

RW SPINOFF ROUND BALE FEEDER (MODEL SO 88000)

RW SPINOFF OPERATION MANUAL

Table of Contents

Introduction	4
Safety Instructions	4
Packaging Summary	5
Tools Needed	6
Assembly Instructions	6
Mounting Instructions	9
Operation Instructions.....	9
Operation Tips.....	11
Maintenance	11
Frequently Asked Questions	12
Troubleshooting.....	12
Service	13
Specifications	13
Warranty	14

Purchase Information	
Dealer:	
Salesperson:	
Address:	
City, St, Zip:	
Phone:	
Fax:	
Email:	
Web Site:	
Purchase Date:	
Serial Number:	

Copyright © 2002 ASI. All Rights Reserved.

ASI

PO Box 160
1525 East 5th Street
Kimball, NE 69145

T (800) 445-1001
T (308) 235-4685
F (308) 235-4687

www.rw-products.com
sales@rw-products.com

INTRODUCTION

Thank you for purchasing the RW SpinOff. We think you will be very pleased with the performance of this round bale mover/feeder. Please read this manual, as that will insure the best results with your new RW SpinOff. Also, remember to completely fill out the enclosed warranty card and mail it in to ASI.

ASI is a family owned manufacturing company that has been in business since 1958, serving the agricultural community with many fine quality products. We produce the following products at our factory in Kimball, Nebraska: the RW PreCleaner, RW ChaffEliminator, and the RW SpinOff. Please visit <http://www.rw-products.com> for information on our other products.

IMPORTANT



The following words and symbols have special meaning in this operation manual.

DANGER: Text set off in this manner indicates that failure to follow directions *will* result in bodily harm or loss of life.



WARNING: Text set off in this manner indicates that failure to follow directions *may* result in bodily harm or loss of life.



CAUTION: Text set off in this manner indicates that failure to follow directions *may* result in equipment damage.

SAFETY INSTRUCTIONS

Please read carefully, as these messages are important for your well being. Disregarding these safety precautions could result in serious injury or death.

The SpinOff is designed to move and feed round bales. Do not use it for any other purpose.



DANGER: The rotating hay spikes could cause serious injury or death. Keep away from the hay spikes when the tractor is running. Shut the tractor off when working around the rear of the tractor. The DANGER DECAL is attached to the SpinOff in two (2) locations. The locations are shown on the completed unit photo on page eight (8).



DANGER: Do not attempt to ride on the frame or spike of the SpinOff! Be careful when backing up to a bale. Make sure that people and animals are not between the spike and the bale.



WARNING: Keep all guards in place when the SpinOff is in operation or when the tractor is running. It is important to shut off tractor and disconnect hydraulic hoses when servicing the chain or performing any other maintenance.



WARNING: Replace the chain guard if damaged or lost. Never operate without the chain guard.

WARNING: You may need to add weight to the front end of the tractor to safely handle large bales.



CAUTION: All decals must be kept on the SpinOff! They must be kept in a legible condition. If they become damaged, are missing or are destroyed, new decals can be obtained from ASI at no charge by calling (800) 445-1001. When new decals are attached they must be located as shown on the completed unit photo on page eight (8). Install the new decals on a clean dry surface.



LT 300



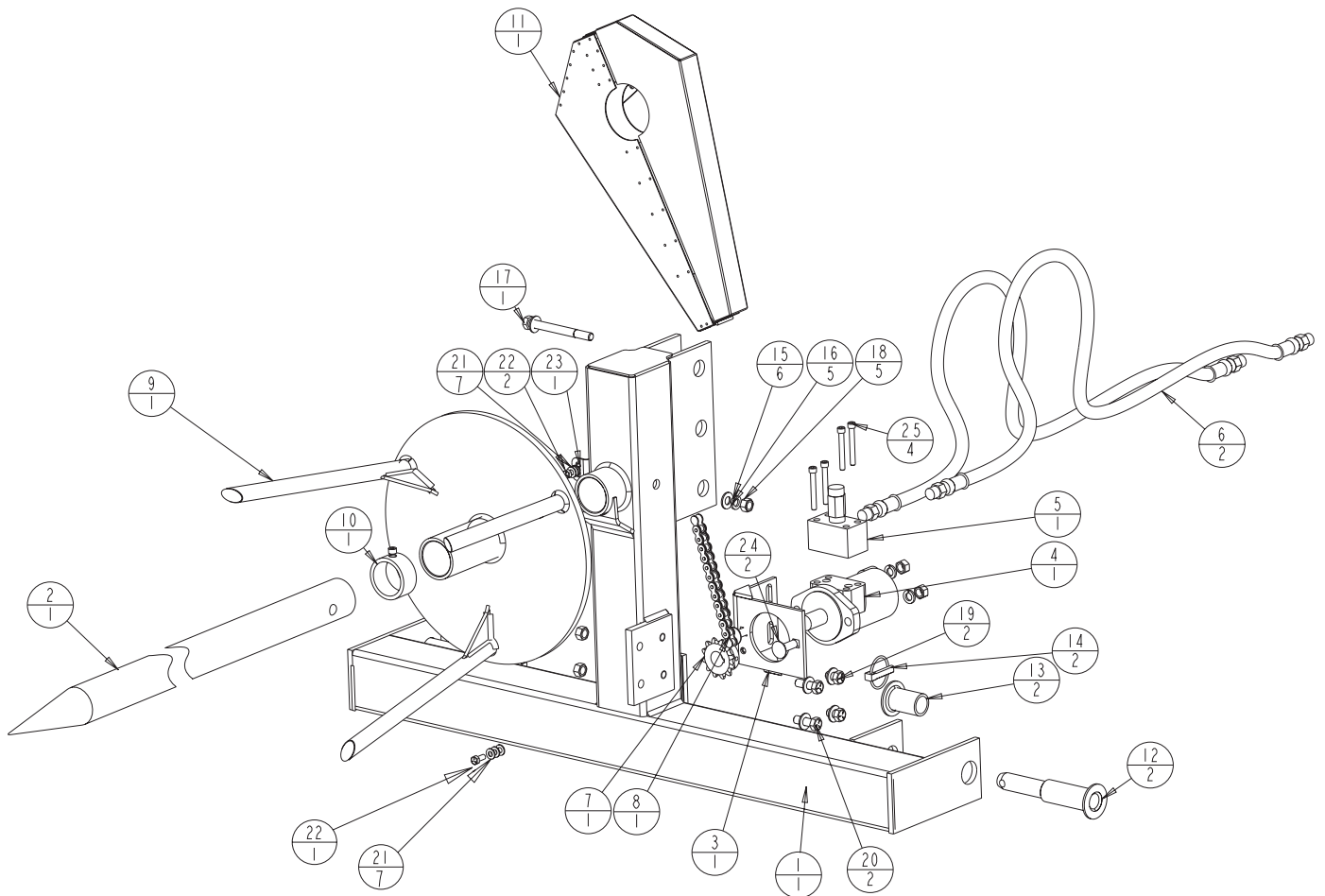
LT 303

PACKAGING SUMMARY

Item	Qty	Part Number	Description
1	1	SO 88001	Main Frame
2	1	SO 88126	Shaft
9	1	SO 88122	Spinner Assembly
Parts Box SO 88071			
3	1	SO 88080	Motor Mount Bracket
4	1	SO 28400	Hydraulic Motor*
5	1	SO 28267	Cushion Valve*
6	2	SO 28119	Hydraulic Hose (60")
7	1	SO 24062	Sprocket
8	1	SO 24064	Roller Chain #50 70 Pitch
10	1	SO 88030	Collar Assembly
11	1	SO 88066	Chain Guard Assembly
	1	LTA 4001	Operation Manual
	1	LT 068	Warranty Card

Item	Qty	Part Number	Description
Bolt Package SO 88070			
12	2	SO 88022	Lower Hitch Pin
13	2	SO 88026	Lower Hitch Pin Spacer
14	2	BL 938	Lynch Pin 7/16"
15	6	BL 940	Flat Washer 1/2"
16	5	BL 939	Lock Washer 1/2"
17	1	BL 1000	Hex Bolt 1/2"-13 x 5"
18	5	BL 933	Hex Nut 1/2"-13
19	2	BL 935	Hex Bolt 1/2"-13 x 3/4"
20	2	BL 934	Hex Bolt 1/2"-13 x 1 1/2"
21	7	BL 973	Flatwasher 5/16"
22	2	BL 921	Hex Bolt 5/16"-18 x 3/4"
23	1	BL 942	Hex Nut 5/16"-18
24	2	BL 1008	Carriage Bolt 1/2"-13 x 1 1/2"
25	4	BL 1001	Socket Head Cap Screw - 5/16-18 x 2 1/2**

* The Cushion Valve and the Hydraulic Motor are pre-assembled.



PACKAGING SUMMARY

The SO 88000 SpinOff is shipped in three (3) boxes.

- Box 1 - Main Frame (SO 88001)
- Box 2 - Shaft (SO 88028)
- Box 3 - Spinner Assembly (SO 88017), and the Parts Box (SO 88071)

TOOLS NEEDED

- Flat blade screwdriver
- 3/4" box end wrench or socket
- 7/8" box end wrench or socket
- Ball pien hammer
- 1/2" box end wrench or socket
- 1/4" hex wrench
- 5/32" hex wrench
- Teflon tape

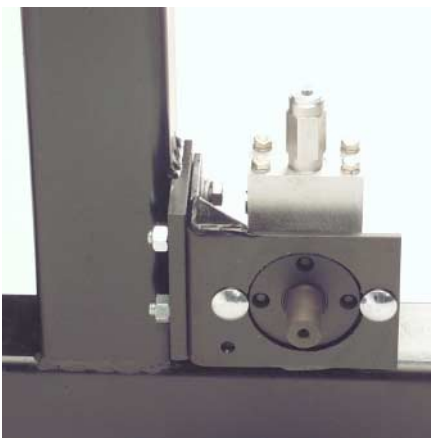
ASSEMBLY INSTRUCTIONS



Attach Motor Mount

- Step 1 Bolt motor mount (item 3) to the main frame (item 1) using:
- (2) hex bolt 1/2"-13 x 3/4" (item 19)
 - (4) flat washer 1/2" (item 15)
 - (2) hex bolt 1/2"-13 x 1 1/2" (item 20)
 - (2) hex nut 1/2"-13 (item 18)

Leave the bolts loose, as you will need to slide the motor/cushion valve assembly up and down to adjust the chain tension.



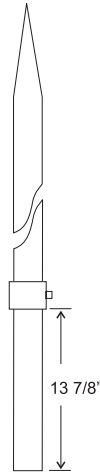
Fasten Hydraulic Motor/Cushion Valve Assembly

- Step 2 Bolt the hydraulic motor/cushion valve assembly (item 4 & 5) into place and bolt with:
- (2) carriage bolt 1/2"-13 x 1 1/2" (item 24)
 - (2) lock washer 1/2" (item 16)
- Step 3 Tighten bolts to 30 to 35 ft lbs.



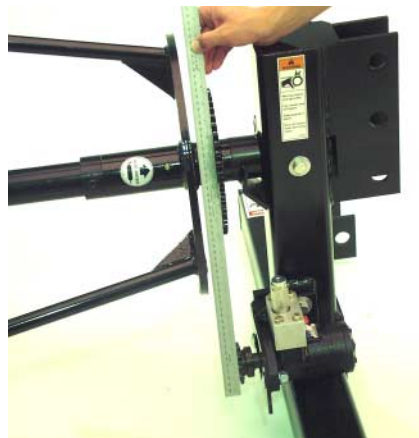
Place Spinner Assembly

- Step 4 Place the collar assembly (item 10) 12 1/4" from blunt end of shaft (item 2), tighten in place with set screw.
- Step 5 Tip the main frame to a vertical position.
- Step 6 Place the spinner assembly (item 9) in position over the hole through the main frame.



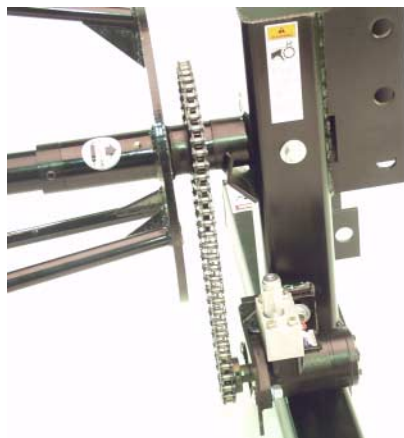
Install Shaft

- Step 7 Place the collar assembly 11 3/4" from the bottom of the spike. Lock the collar assembly into place with the set screw.
- Step 8 Insert the shaft through the spinner assembly into the main frame. Align the holes of the shaft with the holes in the main frame, and bolt using:
- (1) hex bolt 1/2"-13 x 5" (item 17)
 - (1) lock washer 1/2" (item 16)
 - (2) flat washer 1/2" (item 15) on each side
 - (1) hex nut 1/2"-13 (item 18)
- Step 9 Use a grease gun to grease the spinner assembly via the grease zerk.



Install and Align Sprocket

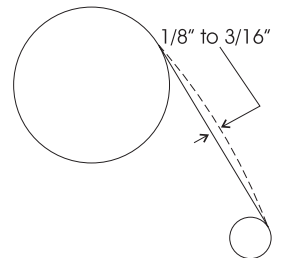
- Step 10 Tip the unit to a horizontal position.
- Step 11 Install the sprocket (item 7) onto the hydraulic motor shaft with the set screw toward the motor.
- Step 12 Align the small sprocket with the large sprocket on the spinner assembly using a straight edge.
- Step 13 Tighten the set screw on the small sprocket.



Install Roller Chain

- Step 14 Install the roller chain (item 8) using the master link.
- Step 15 Tighten the chain by moving the motor mount downward. Tighten the bolts on the motor mount to the frame. The chain should have 1/8" to 3/16" deflection.

Note: The chain will have to be readjusted after the first 3 or 4 bales, as it will stretch with use.



Attach Chain Guard

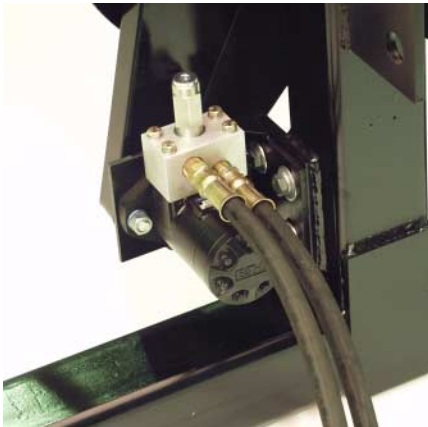
- Step 16 Opening the chain guard assembly (item 11) and slide it in from the left side of the SpinOff over the chain.
- Step 17 Close the chain guard cover and latch.
- Step 18 Bolt into place using:
- (2) hex bolt 5/16"-18 x 3/4" (item 22)
 - (3) flat washer 5/16" (item 21)
 - (1) hex nut 5/16" (item 23)
- Extra flat washers are included to shim out cover if necessary for chain clearance.



Insert Lower Hitch Pins

Step 19 Insert (2) lower hitch pins (item 12) and lock into place with (2) lynch pins (item 14).

Note: Insert (2) lower hitch pin spacers (item 13) if necessary for your hitch.



Attach Hydraulic Hoses

Step 20 Attach (2) hydraulic hoses (item 6) to ports. Remember to use teflon tape around the hose threads.

Step 21 Add a pair of male hydraulic couplers with 1/2" female pipe thread (not included) to the other end of these hoses. Remember to use teflon tape around the hose threads..

The Completed Unit

Step 22 The completed unit (quick couplers not provided).



MOUNTING INSTRUCTIONS

The SpinOff is both a mover and feeder for large round bales. It mounts on all category II and category III three point hitches, and on most quick hitch. One remote two-way hydraulic outlet is required to operate the feeding function. The tractor's hydraulic system should produce at least 1500 psi pressure and 8 gpm flow.



Category II



Category III



Category II & III Quick Couplers

- Category II three point arms - no spacer.
- Category III three point arms - use the flanged spacer with the ring toward the center. Place arms at the outer end of lower pins.
- Category II or category III quick hitch - use the flanged spacer with the ring toward the edge.

You will need to supply a pair of male hydraulic couplers with 1/2" female pipe thread and an upper link pin. Install the snap couplers on the ends of the hoses using pipe sealant. Make sure that no sealant gets into the hydraulic system. Keep the coupler ends clean.

OPERATION INSTRUCTIONS



USING THE SPINOFF AS A BALE MOVER

1. Install the SpinOff on the tractor in accordance with mounting instructions and common three point mounting practices. The hydraulic hoses need not be coupled for moving bales; however, you should keep all hose ends and couplers clean.
2. Back the tractor toward the bale from either end while keeping the center shaft horizontal and near the center of the bale.
3. Continue backing until the center shaft and spinner are fully inserted into the bale.
4. Raise the three point hitch.



CAUTION: Attempting to raise the bale with the center shaft and spinner only partially inserted may cause the unit to bend or break.

5. Drive to the desired location, lower the bale to the ground and drive away from the bale.

OPERATION INSTRUCTIONS



USING THE SPINOFF AS A BALE FEEDER

1. Install the SpinOff on the tractor in accordance with mounting instructions and common three point mounting practices.
2. Connect the hydraulic hoses. Make sure the ends are clean before insertion.
3. Back the tractor toward either end of the bale while keeping the center shaft horizontal and near the center of the bale.
4. Continue backing until the center shaft and spinner are fully inserted into the bale.
5. Raise the three point hitch.
6. Drive to the desired range feeding location.
7. Remove the bale twine and dispose of it properly.
8. Do not lower the bale to the ground. The rear end of the bale should be higher than the forward end to keep the bale from sliding off the center shaft.
9. Select a tractor gear slightly above mid-range.
10. Set the throttle a little above idle.
11. When the tractor is in a forward motion, slowly engage the hydraulic lever to rotate the bale. This will unroll the hay into a windrow.
12. Adjust the forward speed of the tractor to adjust the windrow size. A faster speed for a smaller windrow, a slower speed for a larger windrow.
13. Experiment with different forward speeds and rotation of the bale to unroll the desired windrow.

OPERATION TIPS

- Select a lower gear and higher engine rpm if hay is tightly packed and does not unroll freely. Direction of rotation can be changed while in motion to dislodge extremely tight hay. This will not damage the SpinOff unit.
- If the hay tends to come off in a larger quantity than desired, use a higher gear and lower engine rpm and/or roll intermittently rather than continuously.
- Centrifugal force separates the outer layer from the remaining portion of the bale, therefore, higher rpm (engine throttle setting) may be necessary as the bale diameter becomes smaller.
- A small core of hay may need to be slipped from the center shaft by hand. This can be minimized in many types of hay by stabbing the bale approximately 6" off center before beginning to unroll hay.



DANGER: Shut off the tractor before removing hay by hand!

- Dense core bales unroll more satisfactorily than loose core bales.
- Adjust the forward speed of the tractor to adjust the windrow size. A faster speed for a smaller windrow, a slower speed for a larger windrow.
- Experiment with different forward speeds and rotation of the bale to unroll the desired windrow.

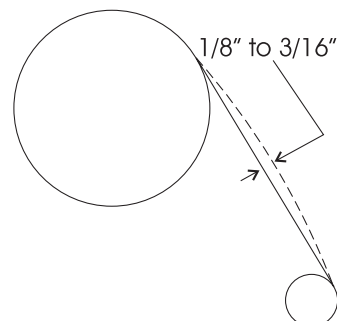
MAINTENANCE

The SpinOff requires minimum maintenance.



WARNING: Shut off the tractor and disconnect hydraulic hoses when performing maintenance!

1. Keep all bolts tight.
2. Keep the sprockets in alignment.
3. Grease the zerk on the spinner every fifty (50) bales fed or at least twice a season.
4. Apply lubricating oil to the roller chain every fifty (50) bales fed or at least twice a season.
5. Keep the chain adjusted to approximately 1/8" to 3/16" deflection. The chain will have to be adjusted after the first 3 or 4 bales, as it will stretch with use.
6. Adjust the chain by loosening the bolts holding the motor mount to the frame. Slide the motor down. Tighten the bolts and recheck for proper tension.



FREQUENTLY ASKED QUESTIONS

What is the maximum weight of a bale that can be unrolled with an RW SpinOff?

2,000 lbs.

How much does the RW SpinOff weigh?

The RW SpinOff ships by UPS in 3 boxes that weigh 255 lbs. total. The top link pin and the quick couplers for the two hydraulic hoses are not included.

Can the RW SpinOff be shipped UPS?

Yes, in 3 boxes that weigh 255 lbs. total.

What category tractor hitch does the RW SpinOff fit?

Category II & III hitches. If you have a Category I hitch, you can special order a SO 88000-2, which is a special version of the RW SpinOff for Category I hitches.

TROUBLESHOOTING

Chain or Sprocket Breakage

- The chain may be too tight. Adjust the chain to allow 3/16" deflection. When reversing the direction of rotation, allow the bale to almost come to a complete stop before reversing.
- The cushion valve may be out of adjustment. Contact ASI for assistance on proper cushion valve adjustment.
- The RW SpinOff must be run with the chain guard in place to prevent foreign objects from getting caught in the chain and causing damage.

Chain Coming Off

- The small sprocket and large sprocket may not be aligned properly. Align the small sprocket with the large sprocket on the spinner assembly using a straight edge, per the assembly instructions, Step 9.
- The chain may be too loose. Adjust the chain to allow 3/16" deflection.

Bale Won't Unwind

- The twine may still be on the bale. If it is, take the twine completely off to avoid tangling on the RW SpinOff when the bale is rotating.
- The bale may be frozen. Try bouncing the bale lightly on the ground to loosen it. You may have to use the ground to slough the first layer off the bale and get it unrolling.
- The bale may be wrapped too tightly. Make certain that all the twine is cut. Try bouncing the bale lightly on the ground to loosen it.

SERVICE

To have your RW SpinOff serviced, please contact the RW SpinOff dealer that sold you your SpinOff.

If you do need to return something to the factory, you must have a Return Authorization Number, otherwise your return will be refused.

For Factory Return Authorization:

ASI
PO Box 160
1525 E 5th St
Kimball, NE 69145
T (308) 235-4685
F (308) 235-4687
service@rw-spinoff.com
www.rw-spinoff.com

SPECIFICATIONS

Chain

#50 70 pitch link roller chain, includes master link.
Sprocket ratio 3.75

Unit

Height	26-3/4"
Width	44-3/4"
Depth	64-3/4"
Weight	255 lbs

Hydraulic Motor

Charlynn Motor manufactured by Eaton Hydraulics.
Model #101 - 1044 9.7 CID.
2 bolt mounting flange.
Minimum 1500 PSI and 8-10 GPM required.

Cushion Valve

Factory set relief at 1750 PSI.
Range of adjustable cushion valve: 500 PSI Min - 3500 PSI Max.
Single replaceable cartridge.

WARNING: Call factory before you attempt any adjustment of the cushion valve!

Hydraulic Hoses

(2) 1/2" NPT x 60" long - quick couplers not provided.

Material

Frame M 1020 STL - 4" Sq x 1/4" Wall.
Shaft 1045 STL - 2-1/4" Dia - 60" long.

Proudly Manufactured in the USA.

LIMITED WARRANTY

RW SPINOFF

ACCESSORY SALES, INC. ("ASI") warrants this Product (including any accessories) against defects in material or workmanship as follows:

1. LABOR: For a period of 90 days from the original date of purchase, if the Product is determined to be defective, ASI will repair or replace the Product at no charge. After this 90-day period, you must pay for all labor charges.
2. PARTS: For a period of one (1) year from the original date of purchase, ASI will supply, at no charge, new or rebuilt replacements in exchange for defective parts. Any replacements will be warranted for the remainder of the original warranty period or (90) days from installation by ASI's authorized facility, whichever is longer.
3. ACCESSORIES: Parts and labor for all accessories are for one (1) year.

To obtain warranty service, you must take the Product, or deliver the Product freight prepaid, in either its original packaging or packaging affording an equal degree of protection, to an ASI authorized RW SPINOFF service facility. Please see below for the number to call to locate the closest facility.

This warranty does not cover customer instruction, installation, or adjustment problems.

This warranty does not cover cosmetic damage or damage due to acts of God, accident, misuse, abuse, negligence, or modification of, or to any part of the Product. This warranty does not cover improper assembly (if self assembled), loss of use of the product, or wasted time due to product malfunction. This warranty does not cover damage due to improper operation or maintenance, connection to improper hydraulic system, or attempted repair by anyone other than a facility authorized by ASI to service the Product. This warranty does not cover Products sold AS IS or WITH ALL FAULTS. This warranty is valid only in the United States.

Proof of purchase in the form of a bill of sale or receipted invoice, which is evidence that the unit is within the Warranty period must be presented to obtain warranty service.

REPAIR OR REPLACEMENT AS PROVIDED UNDER THIS WARRANTY IS THE EXCLUSIVE REMEDY OF THE CONSUMER. ASI SHALL NOT BE LIABLE FOR ANY INCIDENTAL OR CONSEQUENTIAL DAMAGES FOR BREACH OF ANY EXPRESS OR IMPLIED WARRANTY ON THIS PRODUCT. IN NO EVENT SHALL ASI BE LIABLE FOR ANY INCIDENTAL OR CONSEQUENTIAL DAMAGES WHATSOEVER ARISING OUT OF THE USE OR INABILITY TO USE THE PRODUCT. UNDER NO CIRCUMSTANCES SHALL ASI'S LIABILITY, IF ANY, EXCEED THE PURCHASE PRICE PAID FOR THE PRODUCT. EXCEPT TO THE EXTENT PROHIBITED BY APPLICABLE LAW, ANY IMPLIED WARRANTY OF MERCHANTABILITY OR FITNESS FOR A PARTICULAR PURPOSE ON THIS PRODUCT IS LIMITED IN DURATION TO THE DURATION OF THIS WARRANTY.

This warranty is invalid if the factory-applied serial number has been altered or removed from the Product.

Some states do not allow the exclusion or limitation of incidental or consequential damages, or allow limitations on how long an implied warranty lasts, so the above limitations or exclusions may not apply to you. In addition, if you enter into a service contract with the ASI Partnership within 90 days of the date of sale, the limitation on how long an implied warranty lasts does not apply to you. This warranty gives you specific legal rights, and you may have other rights, which vary, from state to state.

To locate the service center or dealer nearest you, for service assistance or resolution of a service problem, for product information, operational questions, or an accessory or part not available from your authorized dealer, contact:

ASI RW SPINOFF INFORMATION CENTER
PO Box 160
1525 E 5th St
Kimball, NE 69145

T (308) 235-4685
F (308) 235-4687

info@rw-spinoff.com
www.rw-spinoff.com



The information in this manual is subject to change without notice. Please check www.rw-spinoff.com for the latest information.

ASI shall not be liable for technical or editorial errors or omissions contained herein; nor for incidental or consequential damages resulting from the furnishing, performance, or use of this material.

This manual contains information protected by copyright. No part of this manual may be photocopied or reproduced in any form without prior written consent of ASI.

Copyright © 2002 ASI. All Rights Reserved.

LTA 4001 Revision Date: 02-25-02

ASI

PO Box 160
1525 East 5th Street
Kimball, NE 69145

T (800) 445-1001
T (308) 235-4685
F (308) 235-4687

www.rw-products.com
sales@rw-products.com