

# OWNER'S/ OPERATOR'S MANUAL

## MODEL NO.'s

**UB-645**

**UB-745**

**UB-650-T**

**UB-750-T**

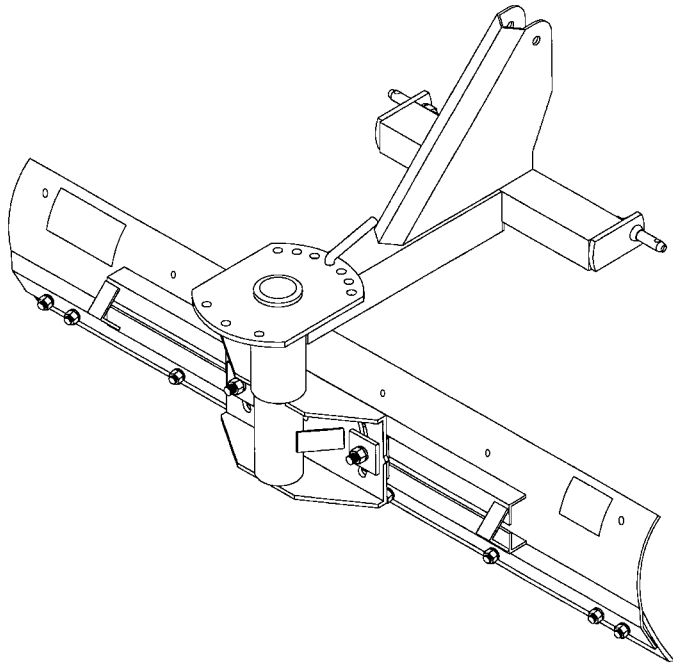
**UB-850-T**



## **CAUTION**

For Safe Operation  
Read Rules And  
Instructions Carefully

SINO LEEINGLES, PIDA AYUDA  
A AIGUIEN QUE SI LO LEA  
PARA QUE LE TRADUZCA LAS  
MEDIDAS DE SEGURIDAD.



## **3 PT. REAR MOUNTED BLADE**

For Cat. I 3 Pt. Hitch Tractors  
Up To 50 H.P.

**Safety Instructions**  
**Tractor Preparation**  
**Operating Instructions**

**Assembly & Mounting**  
**Maintenance**  
**Repair Parts**



## **CAUTION**

**THE FOLLOWING SAFETY PRECAUTIONS SHOULD BE THOROUGHLY UNDERSTOOD  
BEFORE ATTEMPTING TO BEGIN ASSEMBLING THIS MACHINE**

1. Select an area for assembly that is clean and free of any debris which might cause persons working on the assembly to trip.
2. Do not lift heavy parts or assemblies. Use crane, jack, tackle, fork trucks or other mechanical devices.
3. Preview the assembly instructions in your operator's manual before proceeding further.
4. If the assembly instructions call for parts or assemblies to be blocked up, use only blocking material that is in good condition and is capable of handling the weight of the assembly to be blocked. Also insure that the blocking material is on a clean, dry surface.
5. Never put hands, or any part of body, under blocked up assemblies if at all possible.
6. After completing assembly, thoroughly inspect the machine to be sure that all nuts, bolts, hydraulic fittings or any other fastened assemblies have been thoroughly tightened.
7. Before operating the machine, thoroughly read the operation section of your operator's manual.
8. Before operating, read the maintenance section of your operator's manual to be sure that any parts requiring lubrication, such as gearboxes, are full, to avoid any possible damage.
9. **Before operating equipment – If you have any questions regarding the proper assembly or operation, contact your dealer or representative.**

TABLE  
OF  
CONTENTS

SINO LEEINGLES, PIDA AYUDA A  
AIGUIEN QUE SI LO LEA PARA QUE  
LE TRADUZCA LAS MEDIDAS DE  
SEGURIDAD.

SAFETY INFORMATION .....	2 - 4
SAFETY SIGNS .....	4
PREPARATION INSTRUCTIONS .....	5
OPERATING INSTRUCTIONS .....	6
OWNER MAINTENANCE .....	7
TROUBLESHOOTING GUIDE .....	8 - 9
PARTS DRAWING/LIST .....	10 - 13

**STATEMENT  
OF POLICY**

It is the policy of Worksaver, Inc. to improve its products where it is possible and practical to do so. Worksaver, Inc. reserves the right to make changes or improvements in design and construction at any time, without incurring the obligation to make these changes on previously manufactured units.

**TO THE OWNER :**

Read this manual before using your 3 pt. Rear Blade. This manual is provided to give you the necessary operating and maintenance instructions for keeping your Loader Fork in top operating condition. Please read this manual thoroughly. Understand what each control is for and how to use it. Observe all safety signs on the machine and noted throughout the manual for safe operation of implement. Keep this manual handy for ready reference.

Like all mechanical products, it will require cleaning and upkeep.

Use only genuine Worksaver, Inc. service parts. Substitute parts will void the warranty and may not meet standards required for safe and satisfactory operation. Record the model and serial number of your Rear Blade here:

Model: \_\_\_\_\_ Serial Number: \_\_\_\_\_

---

---

**RETAIL CUSTOMER'S RESPONSIBILITY**

**It is the Retail Customer and/or Operator's responsibility to read the Operator's Manual, to operate, lubricate, maintain, and store the product in accordance with all instructions and safety procedures. Failure of the operator to read the Operator's Manual is a misuse of this equipment.**

**It is the Retail Customer and/or Operator's responsibility to inspect the product and to have any part(s) repaired or replaced when continued operation would cause damage or excessive wear to other parts or cause a safety hazard.**

**It is the Retail Customer's responsibility to deliver the product to the authorized Worksaver Dealer, from whom he purchased it, for service or replacement of defective parts which are covered by warranty. Repairs to be submitted for warranty consideration must be made within forty-five (45) days of failure.**

**It is the Retail Customer's responsibility for any cost incurred by the Dealer for traveling to or hauling of the product for the purpose of performing a warranty obligation or inspection.**

# To the Owner/Operator/Dealer

All implements with moving parts are potentially hazardous. There is no substitute for a cautious, safe-minded operator who recognizes the potential hazards and follows reasonable safety practices. The manufacturer has designed this implement to be used with all its safety equipment properly attached to minimize the chance of accidents.

## BEFORE YOU START!!

**Read the safety messages on the implement and shown in your manual.  
Observe the rules of safety and common sense!**



### THIS SYMBOL MEANS

- ATTENTION!
- BECOME ALERT!
- YOUR SAFETY IS INVOLVED!

THIS SAFETY ALERT SYMBOL IDENTIFIES IMPORTANT SAFETY WARNING MESSAGES. CAREFULLY READ EACH WARNING MESSAGE THAT FOLLOWS. FAILURE TO UNDERSTAND AND OBEY A SAFETY WARNING, OR RECOGNIZE A SAFETY HAZARD, COULD RESULT IN AN INJURY OR DEATH TO YOU OR OTHERS AROUND YOU. THE OPERATOR IS ULTIMATELY RESPONSIBLE FOR THE SAFETY OF HIMSELF, AS WELL AS OTHERS, IN THE OPERATING AREA OF THE TRACTOR AND ATTACHED EQUIPMENT.

---

## UNDERSTAND SIGNAL WORDS

Note the use of the signal words **DANGER**, **WARNING** and **CAUTION** with the safety messages. The appropriate signal word for each has been selected using the following guidelines:

**DANGER:** Indicates an imminently hazardous situation that, if not avoided, will result in death or serious injury. This signal word is to be limited to the most extreme situations typically for machine components which, for functional purposes, cannot be guarded.

**WARNING:** Indicates a potentially hazardous situation that, if not avoided, could result in death or serious injury, and includes hazards that are exposed when guards are removed. It may also be used to alert against unsafe practices.

**CAUTION:** Indicates a potentially hazardous situation that, if not avoided, may result in minor or moderate injury. It may also be used to alert against unsafe practices.

If you have questions not answered in this manual or require additional copies or the manual is damaged, please contact your dealer or the manufacturer directly.

---

## IMPORTANT SAFETY INFORMATION!















Working with unfamiliar equipment can lead to careless injuries. Read this manual, and the manual for your tractor, before assembly or operating, to acquaint yourself with the machines. It is the implement owner's responsibility, if this machine is used by any person other than yourself, is loaned or rented, to make certain that the operator, prior to operating:

1. Reads and understands the operator's manuals.
2. Is instructed in safe and proper use.
















The use of this equipment is subject to certain hazards which cannot be protected against by mechanical means or product design. All operators of this equipment must read and understand this entire manual, paying particular attention to safety and operating instructions, prior to using. If there is something in this manual you do not understand, ask your supervisor, or your dealer, to explain it to you.

## SAFETY INSTRUCTIONS (continued)

-  All equipment is potentially hazardous. There is no substitute for a cautious, safe-minded operator who recognizes potential hazards and follows reasonable safety practices.
-  When the use of hand tools is required to perform any part of assembly, installation, adjustment, maintaining, repairing, removal, or moving the implement, be sure the tools used are designed and recommended by the tool manufacturer for that specific task.
-  Personal protection equipment including safety glasses, safety shoes, and gloves are recommended during assembly, installation, operation, adjustment, maintaining, repairing, removal, or moving the rear blade.
-  Always use two people to handle heavy, unwieldy components during assembly, installation, removal, or moving the rear blade.
-  Never place any part of your body where it would be in danger if movement should occur during assembly, installation, operation, maintaining, repairing, removal, or moving the implement.
-  Never place yourself between the tractor and implement while implement is in operation.
-  Do not work under a raised implement unless it is securely blocked or held in position. Do not depend on the tractor hydraulic system to hold the implement in place.
-  A heavy load can cause instability of the tractor. Use extreme care during travel. Slow down on turns and watch out for bumps. The tractor may need front counter-weights to counter-balance the weight of the implement.
-  Never use alcoholic beverages or drugs which can hinder alertness or coordination while operating this equipment. Consult your doctor about operating this machine while taking prescription medications.
-  Do not allow others to ride on the tractor with an operator. Riders are subject to injury such as being struck by foreign objects or being thrown off. Riders obstruct the operator's view resulting in unsafe operation. **Never allow anyone to ride on the implement!**
-  Before you operate the rear blade, check over all pins, bolts and connections to be sure all are securely in place. Replace any damaged or worn parts immediately.
-  Do not allow anyone who is not familiar with the safety rules and operation instructions to use this rear blade.
-  Never allow children to operate or be around equipment.
-  Use stabilizer bars, adjustable sway chains, or sway blocks on your tractor lift arms to keep the rear blade from swinging side to side. Adjust as tightly as practical for best performance.

## SAFETY INSTRUCTIONS (continued)

-  Keep alert and watch the front as well as the rear when working with the implement.
-  When maneuvering close to buildings or passing through narrow areas, be sure to allow sufficient clearance for the implement.
-  Do not operate close to ditches or creeks. Slow down when operating over rough ground.
-  Always be sure the implement is in the fully raised position when in transport.
-  When adjusting the angle of the moldboard assembly, be sure that your feet are never under the rear blade.
-  Use extreme caution when backfilling deep holes or trenches.
-  Be careful to avoid catching the rear blade on stumps or other immovable objects.
-  Use care when working on slopes.
-  Avoid excessive speed during operation.
-  Make adjustments only when the implement is attached to the tractor.
-  When using the rear blade in a reverse position, use extra care. **Do not ram rear blade** into piles of dirt. Tractor lift arms and the rear blade are not built to take high impact loads in this position. **Ramming** backwards can also dislodge operator from seat and/or tractor controls, resulting in possible serious injury or death.
-  Always ease the tractor into the load. It may be necessary to reposition and take less “bite” on the material to move it safely.
-  Watch for and avoid hidden obstructions, i.e., buried pipes, rocks, concrete piers, uneven concrete slabs, stumps, etc., when operating.

## SAFETY SIGNS

This SAFETY SIGN is located on the frame of your rear blade. Obey ALL Safety Warnings.

**NOTE:**  
If Safety Sign is missing or damaged, replace immediately.



# CAUTION

**Failure to follow safe operating practices can cause property damage and bodily injury.**



1. Use tractor hitch sway bars to prevent side sway.
2. Never ram blade into dirt or snow piles with blade in reverse position. Ramming backwards can unseat operator from tractor or controls.
3. Keep fingers away from adjusting holes.
4. Reposition blade with tractor on level ground only to prevent blade from swinging or sliding into operator.
5. Watch for and avoid obstructions. Never hit mounds or ridges (especially ice and snow) at high speed as obstructions may be hidden.
6. Read other safety precautions in owner's manual.

Part #101033

# INSTRUCTIONS

---

## TRACTOR REQUIREMENTS AND PREPARATION

---

The UB Series Rear Blades will fit most Category I tractors equipped with a standard 3-point hitch. These blades are designed for use on tractors up to 50 horsepower. For use on larger tractors, extra care is required and it is strongly suggested that purchasing a heavier rear blade be considered.

Check the tractor's 3-point hydraulic lift system. It should operate up and down smoothly and hold its position when set. Refer to your tractor owner's manual or dealer for any adjustments necessary to put the 3-point hydraulic lift system in good working order. (I&T shop manuals will list most specifications and adjustment instructions – available from most farm equipment dealers.)

Tractor should be equipped with stabilizer bars, adjustable sway chains, or sway blocks to keep the implement from swinging side to side.

Smaller size tractors may need front counter weights to counter-balance the weight of the implement.

It is recommended that the tractor be equipped with a Rollover Protection System (ROPS) and a seat belt that is used.



**Be sure your tractor is in good condition and properly equipped with counter weights. Read all the safety precautions and make sure all tractor operators are familiar with the safety rules of tractor operation.**

## ASSEMBLY AND MOUNTING

---

It is suggested that you mount the main frame on the 3-point hitch of your tractor before assembling the blade as follows:

1. Lower the 3-point hitch on your tractor to facilitate mounting of the main frame of the blade to the tractor.
2. Insert the lift arm pins on the main frame into the ball sockets in the lift arms of the tractor 3-point hitch. Pin in place with linch pins (not furnished).
3. Attach the mast of the main frame to the tractor by installing the tractor center (or top) link with a top link pin (not furnished). Pin in place with a linch pin (not furnished).

The main frame of the blade is now installed on the tractor. You are ready to proceed with assembling the moldboard and cutting edge assembly to the main frame as follows:

### UB-645 BLADE

(6 ft. Moldboard mounting instruction.)

1. Remove the two center plow bolts from the moldboard assembly.
2. Position the moldboard assembly in front of the spindle assembly and place the two center plow bolts through the moldboard assembly and into the corresponding holes in the lower moldboard bracket on the spindle assembly.
3. Place the two  $\frac{1}{2}$ " x  $1\frac{1}{2}$ " hex head bolts provided through the two center holes at the top of the moldboard assembly into the corresponding holes on the upper moldboard bracket on the spindle assembly. **(NOTE:** The moldboard assembly may be positioned in the center, 12" to the right, or 12" to the left, according to the setting desired.)
4. Tighten all bolts securely.

### UB-745 BLADE

(7 ft. Moldboard mounting instruction.)

1. Remove the three center plow bolts from the moldboard assembly.
2. Position the moldboard assembly in front of the spindle assembly and place the three center plow bolts through the moldboard assembly and into the corresponding holes in the lower moldboard bracket on the spindle assembly.
3. Place the two  $\frac{1}{2}$ " x  $1\frac{1}{2}$ " hex head bolts provided through the two center holes at the top of the moldboard assembly and into the corresponding holes on the upper moldboard bracket on the spindle assembly. **(NOTE:** The moldboard assembly may be positioned in the center, 12" to the right, or 12" to the left, according to the setting desired.)
4. Tighten all bolts securely.

### UB-650-T, UB-750-T, AND UB-850-T BLADES

(6 ft., 7 ft., & 8 ft. Moldboard mounting instructions.)

1. Place the two tilt adjustment bolts into the moldboard brackets (one on each end).
2. Position the moldboard against the spindle mounting bracket, with the two tilt adjustment bolts extending through the radial slots in the spindle mounting bracket.
3. Place the tie plates over the tilt adjustment bolts.
4. Tighten all bolts securely.
5. In order to tilt the moldboard simply loosen the nuts on the tilt adjustment bolts and pivot to the desired angle, then retighten the nuts.

**NOTE:** Always use the tractor anti-sway bars, blocks, or chains to prevent blade side-sway. This is a must when using the blade in a reverse position.

Your Rear Mounted Blade is now assembled and mounted on your tractor. It is ready to go to work for you.

# INSTRUCTIONS (continued)

## GENERAL SAFETY

---

The designed and tested safety of this machine depends on it being operated within the limitations as explained in this manual. Be familiar with and follow all safety rules in the manual, on the blade and on the tractor.

The safe operation of this machine is the responsibility of the owner/operator. The operator should be familiar with the blade and tractor and all safety practices before starting operation. Read the safety rules.

Never let anyone stand between the rear of the tractor and the rear blade while the tractor is backing up to connect to the blade. Always stand to the side until tractor has come to a complete stop and the brakes set or the tractor shift placed in "PARK".

## OPERATION

---

Check for ditches, stumps, holes, or other obstacles that could upset tractor or damage blade. Always turn off tractor engine, set parking brake, lower blade to ground before dismounting tractor.

Attaching the blade to the tractor increases the overall length of the working unit. Allow additional clearance for the blade to swing when turning.

Your rear blade can be used for all types of blade work, including casting, side ditching, leveling, terracing, grading, bulldozing, and snow removal.

1. **CASTING:** The blade should be angled horizontally – only enough to allow the material to slide along it easily. The vertical angle (tilt) of the blade must be set to suit conditions. This is controlled by the lift arm leveling assembly (turnbuckle) on the tractor 3-point hitch.
2. **SIDE DITCHING:** The horizontal angle should be at its sharpest. This is obtained by removing the shift pin and turning the moldboard so that the last hole in the circle plate is in line with the shift pin hole, then replace the shift pin. It is suggested that the blade be set in an offset position and then use the shorter blade side to be the cutting side. This reduces the load movement on the end of the blade.

The vertical angle of the blade (tilt) is adjusted by means of the adjustable turnbuckles on the tractor 3-point hitch. For the sharpest angle, lengthen the center link on the tractor as far as possible. Also, lower the adjustable leveling turnbuckle as far as possible.
3. **LEVELING:** The blade should be straight across, i.e., 90° to the line of travel of the tractor, in other words 0° horizontal angle.

There should be 0° vertical angle, i.e., the lift arms on the tractor 3-point hitch should be parallel to the ground.

The cutting pitch of the blade should be the opposite of that used in side ditching and casting, with the cutting edge behind the top edge of the moldboard. This adjustment is made with tractor center link.

4. **TERRACING:** Use a combination of ditching, casting, and leveling. The first cut is into the hillside in the ditching position. Continue until the terrace is at proper depth, then switch to the casting position until the terrace width is established. It may be necessary to use the leveling position to complete the job.
5. **BULLDOZING:** When bulldozing, the blade is in reverse position. Depending on the job, the casting, side ditching, or leveling position may be used. Snow removal can also be done with the blade in this position (blade in reverse, cutting edge away from tractor).

(NOTE: Most blades are damaged in this position – use extra care – DO NOT RAM blade into snow or dirt piles!)



**When using the rear blade in a reverse position use extra care - DO NOT RAM REAR BLADE into dirt piles! Tractor lift arms and the rear blade are not built to take high impact loads in this position. RAMMING backwards can also dislodge operator from seat and/or tractor controls, resulting in possible serious injury or death.**

6. **GRADING:** Grading is a combination of casting, side ditching, and leveling. Snow removal can also be done with the blade in this position (cutting edge toward the tractor).

These suggestions are generalities; best results will be obtained after some experience.

**NOTE:** Do not load either end of the blade heavily. Try to balance the load on both ends of the blade.



**Watch for and avoid hidden obstructions, i.e., buried pipes, rocks, concrete piers, or uneven slabs of concrete, when operating, or blade damage may occur. This is especially true when removing snow.**

# OWNER SERVICE

---

## TRANSPORTING

---

Pay particular close attention to the Safety Messages regarding transport. Avoid unnecessary injuries and equipment damage by exercising cautious, conscientious travel procedures.

Attaching the blade to the tractor increases the overall length of the working unit. Allow additional clearance for the blade to swing when turning.

Raise the blade as high as possible for transporting. Always transport blade with blade centered on tractor. Never attempt road travel with blade offset into the traffic lane.

## MAINTENANCE

---



- ▲ **Lower blade to ground or block securely, turn tractor engine off, remove key and set brakes or place shift lever in “Park” position.**
- ▲ **Before working underneath, raise 3-pt. hitch to highest position and block blade securely. Hydraulic system leakdown and failure of mechanical or hydraulic system can cause equipment to drop.**
- ▲ **Keep all persons away from operator control area while performing adjustments, service or maintenance.**
- ▲ **Do not run engine indoors – exhaust gases contain carbon monoxide, an odorless and deadly poison.**

Inspect the blade for loose, damaged or worn parts and adjust or replace if needed.

Repaint parts where paint is worn or scratched to prevent rust.

Check all bolts and nuts to be sure they are tight.

At the end of the working season or when the blade will not be used for a long period, it is good practice to clean off any dirt that may have accumulated on the blade and any of the moving parts.

Check the shift pin for excessive wear and replace if necessary.

Always store blade in a clean, dry location away from children or livestock.

## STORING SAFELY

---

- Never store equipment with fuel in the tank inside a building where fumes may reach an open flame or spark. Allow engine to cool before storing in an enclosure.
- Always store blade in a clean, dry location away from children or livestock.
- Storage location should be level and solid to make hitching and unhitching easy.

## OPTIONS

---

The optional skid shoes provide cutting height adjustment to reduce the chance of blade or surface damage during snow removal. This option is very helpful when plowing gravel or loose stone driveways.

### OPTIONAL MODEL SK-6 SKID SHOE INSTALLATION

Attach the skid shoe mounting bracket to the 2nd and 3rd cutting edge holes from each end of the moldboard. Insert the skid shoe in the mounting bracket and secure with the 1/2" – 13NC x 1 1/2" long square head set screw and jam nut. Be sure the skid shoes are turned so the adjustment holes match the point of the set screw. See parts illustration.

Optional end plates provide a “boxed” blade for grading. This is helpful when spreading dirt or loose stone or just leveling an area. It keeps the material from sliding off the end of the blade.

### OPTIONAL MODEL EP-38 END PLATE INSTALLATION

The end plates mount to the inside of the blade using the end cutting edge hole and the hole in the moldboard directly above it. Replace the cutting edge bolt with the longer 5/8" – 11NC x 2" long carriage bolt provided. On earlier models it may be necessary to match drill the upper 1 1/16" Dia. hole in the moldboard. Install the upper 5/8" – 11NC carriage bolt. See parts illustration.

OBEY ALL  
SAFETY WARNINGS!

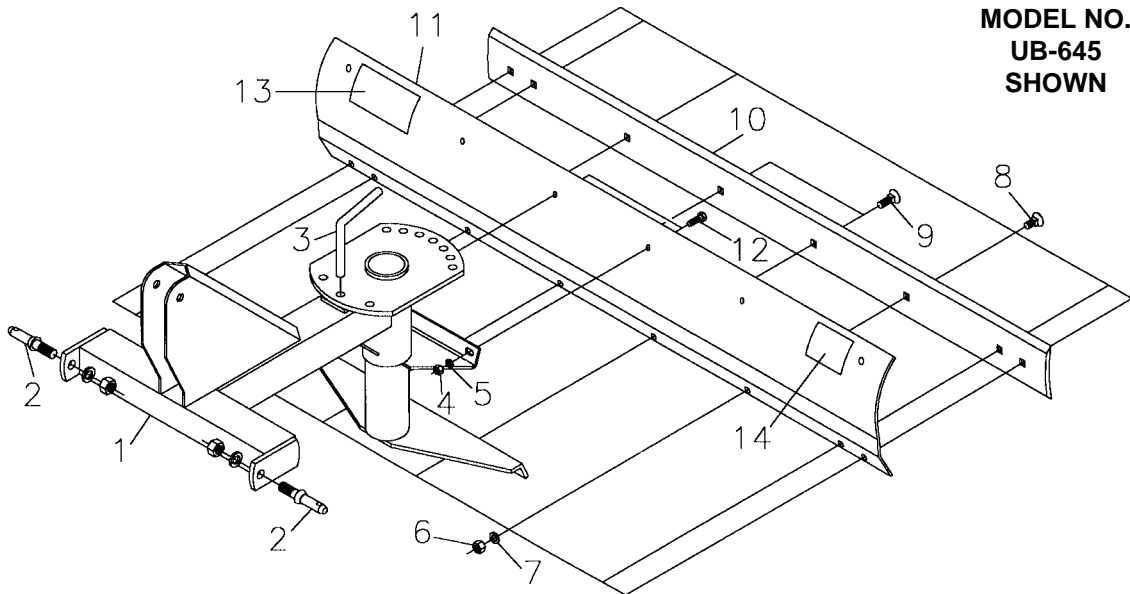
# TROUBLESHOOTING GUIDE

PROBLEM	POSSIBLE CAUSE	POSSIBLE REMEDY
<b>Blade will not penetrate soil.</b>	<ol style="list-style-type: none"><li>1. Cutting edge dull.</li><li>2. Blade set too straight.</li><li>3. Soil too hard.</li></ol>	<p>Replace cutting edge.</p> <p>Increase 3 pt. hitch toplink length.</p> <p>Loosen soil with scarifiers or disk. Wait for rain.</p>
<b>Moldboard digging in too much.</b>	<ol style="list-style-type: none"><li>1. Blade pitch excessive.</li><li>2. Soft ground.</li></ol>	<p>Adjust toplink (shorten).</p> <p>Install skid shoes. Wait for dryer soil.</p>
<b>Bent moldboard.</b>	<ol style="list-style-type: none"><li>1. Small curve is normal from welding.</li><li>2. Hitting hidden objects in backfill position or ramming backwards at high speed into hard piles of soil, snow, or ice.</li><li>3. Using too large of tractor or one that is heavily weighted and has four wheel drive.</li></ol>	<p>Can be removed, but will not effect blade operation.</p> <p>Use slow speed when in unknown conditions. Always backfill or push backwards at slow speed.</p> <p>Preferably use tractor of recommended horsepower. Slow down and use extra care.</p>
<b>3 Pt. hitch frame bent.</b>	<ol style="list-style-type: none"><li>1. Hitting hidden objects in backfill position or ramming backwards at high speed into hard piles.</li><li>2. Using too large of tractor.</li></ol>	<p>Use slow speed when in unknown conditions. Always backfill or push backwards at slow speed.</p> <p>Preferably use tractor of recommended horsepower. Slow down and use extra care.</p>
<b>Unable to hold level grade.</b>	<ol style="list-style-type: none"><li>1. Tractor draft control lifting blade.</li><li>2. Soil too hard.</li></ol>	<p>Set tractor draft control.</p> <p>Use scarifiers.</p>

# TROUBLESHOOTING GUIDE

PROBLEM	POSSIBLE CAUSE	POSSIBLE REMEDY
<b>Only one end of blade moldboard cutting or “working.”</b>	1. Moldboard not level.	Adjust tractor 3 pt. linkage to level lift arms.
<b>Blade moves side to side.</b>	1. Anti-sway bars, blocks, or chains missing. 2. Anti-sway chains loose.	Install anti-sway bars, blocks or chains. Adjust chains.
<b>Front of tractor moves sideways when blade is angled.</b>	1. Too much material being handled. 2. Tractor too light.	Reduce material load. Add front weights. Use larger size tractor.
<b>Angle shift pin breaks or bends.</b>	1. Hitting solid objects. 2. Ramming blade into “solid” snow/ice or dirt piles. 3. Using too large tractor.	Drive carefully and check work area. Stop dangerous practice. Use proper size tractor for blade rating.
<b>PLOWING SNOW PROBLEMS:</b>		
<b>Blade catches cracks/joints in hard surface driveways.</b>	1. Need optional skid shoes.	Add skid shoes.
<b>Blade plows most loose stone/gravel into grass at side of driveway.</b>	1. Skid shoes not adjusted properly.	Adjust skid shoes so cutting edge clears.

**MODEL NO.  
UB-645  
SHOWN**



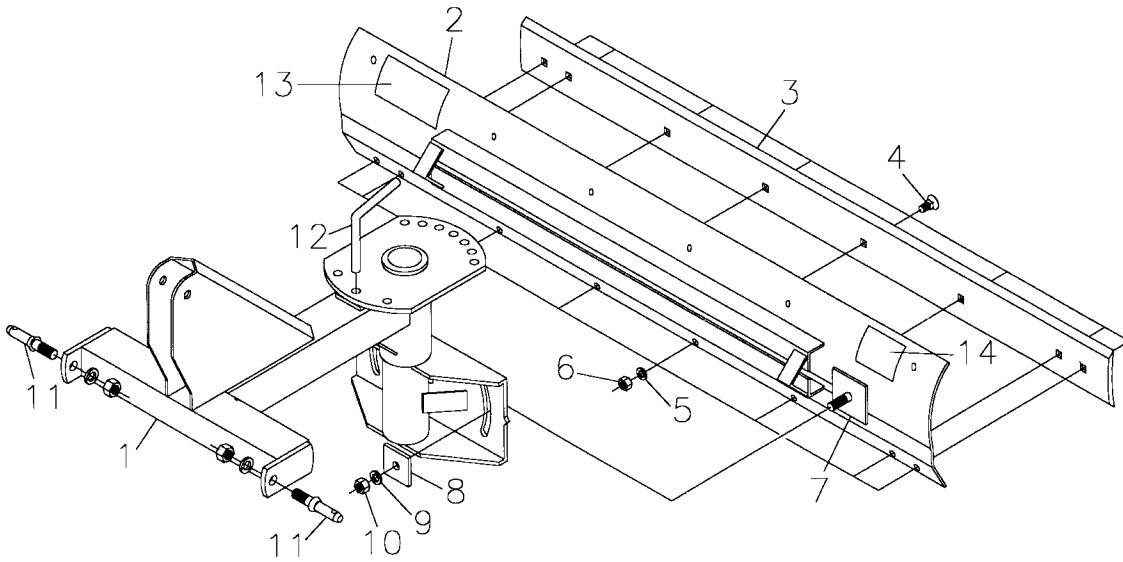
## UB-645 BLADE

REF. NO.	PART NO.	DESCRIPTION	NO. REQ.
1	346601	3 Pt. Mount Frame	1
2	590108	Lift Pin Assembly (AK-578)	2
3	350030	Adjustment Pin	1
4	2500003	Full Hex Nut 1/2" – 13NC	2
5	2502002	Spring Lockwasher 1/2"	2
6	2500013	Full Hex Nut 5/8" – 11NC	8
7	2502007	Spring Lockwasher 5/8"	8
8	2503045	No. 3 Plow Head Bolt 5/8" – 11NC x 1 1/2"	6
9	2503179	No. 3 Plow Head Bolt 5/8" – 11NC x 2"	2
10	350405	6 Ft. Cutting Edge	1
11	346612	6 Ft. Moldboard	1
12	2503004	Hex Head Bolt 1/2" – 13NC x 1 1/2"	2
13	101033	Decal – Caution, Safe Operating Practices	1
14	101052	Decal – Warranty Notice	1

## UB-745 BLADE

REF. NO.	PART NO.	DESCRIPTION	NO. REQ.
1	346601	3 Pt. Mount Frame	1
2	590108	Lift Pin Assembly (AK-578)	2
3	350030	Adjustment Pin	1
4	2500003	Full Hex Nut 1/2" – 13NC	2
5	2502002	Spring Lockwasher 1/2"	2
6	2500013	Full Hex Nut 5/8" – 11NC	9
7	2502007	Spring Lockwasher 5/8"	9
8	2503045	No. 3 Plow Head Bolt 5/8" – 11NC x 1 1/2"	6
9	2503179	No. 3 Plow Head Bolt 5/8" – 11NC x 2"	3
N/S	350029	7 Ft. Cutting Edge	1
N/S	346701	7 Ft. Moldboard	1
12	2503004	Hex Head Bolt 1/2" – 13NC x 1 1/2"	2
13	101033	Decal – Caution, Safe Operating Practices	1
14	101053	Decal – Warranty Notice	1

**MODEL NO.  
UB-650-T  
SHOWN**



## UB-650-T UTILITY BLADE

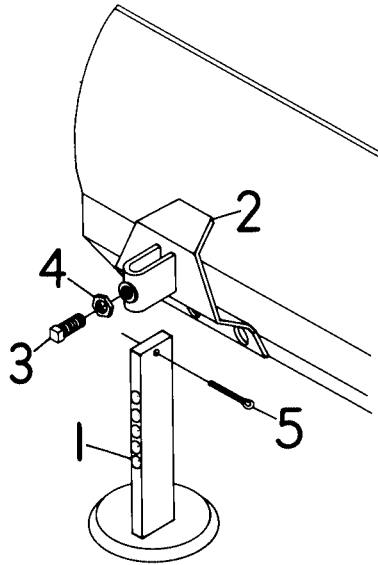
REF. NO.	PART NO.	DESCRIPTION	NO. REQ.
1	346801	Mount Frame	1
2	346807	Moldboard Assembly	1
3	350405	Cutting Edge	1
4	2503045	Plow Bolt $\frac{5}{8}$ " – 11NC x 1 $\frac{1}{2}$ "	8
5	2502007	Lockwasher $\frac{5}{8}$ "	8
6	2500013	Nut $\frac{5}{8}$ " – 11NC Full Hex	8
7	346810	Tilt Adjustment Bolt	2
8	346812	Tie Plate	2
9	2502001	Lockwasher $\frac{3}{4}$ "	2
10	2500002	Nut $\frac{3}{4}$ " – 10NC Full Hex	2
11	590108	Lift Pin (AK-578)	2
12	350030	Adjustment Pin	1
13	101033	Decal – Caution, Safe Operating Practices	1
14	101054	Decal – Warranty Notice	1

## UB-750-T UTILITY BLADE

REF. NO.	PART NO.	DESCRIPTION	NO. REQ.
1	346801	Mount Frame	1
N/S	346901	Moldboard Assembly	1
N/S	350029	Cutting Edge	1
4	2503045	Plow Bolt $\frac{5}{8}$ " – 11NC x 1 $\frac{1}{2}$ "	9
5	2502007	Lockwasher $\frac{5}{8}$ "	9
6	2500013	Nut $\frac{5}{8}$ " – 11NC Full Hex	9
7	346810	Tilt Adjustment Bolt	2
8	346812	Tie Plate	2
9	2502001	Lockwasher $\frac{3}{4}$ "	2
10	2500002	Nut $\frac{3}{4}$ " – 10NC Full Hex	2
11	590108	Lift Pin (AK-578)	2
12	350030	Adjustment Pin	1
13	101033	Decal – Caution, Safe Operating Practices	1
14	101055	Decal – Warranty Notice	1

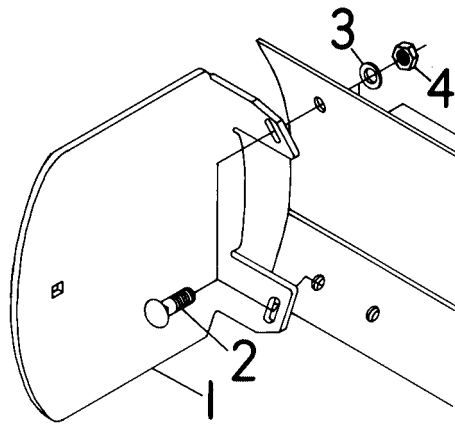
## UB-850-T UTILITY BLADE

REF. NO.	PART NO.	DESCRIPTION	NO. REQ.
1	346801	Mount Frame	1
N/S	347001	Moldboard Assembly	1
N/S	350105	Cutting Edge	1
4	2503045	Plow Bolt $\frac{5}{8}$ " – 11NC x 1 $\frac{1}{2}$ "	10
5	2502007	Lockwasher $\frac{5}{8}$ "	10
6	2500013	Nut $\frac{5}{8}$ " – 11NC Full Hex	10
7	346810	Tilt Adjustment Bolt	2
8	346812	Tie Plate	2
9	2502001	Lockwasher $\frac{3}{4}$ "	2
10	2500002	Nut $\frac{3}{4}$ " – 10NC Full Hex	2
11	590108	Lift Pin (AK-578)	2
12	350030	Adjustment Pin	1
13	101033	Decal – Caution, Safe Operating Practices	1
14	101142	Decal – Warranty Notice	1



### SK-6 (OPTIONAL)

REF. NO.	PART NO.	DESCRIPTION	NO. REQ.
1	346632	Skid Shoe Weldment	2
2	346635	Mount Weldment	2
3	2503203	Set Screw $\frac{1}{2}$ " – 13NC x $1\frac{1}{2}$ " Sq. Head	2
4	2500058	Nut $\frac{1}{2}$ " – 13NC Hex Jam	2
5	2504068	Cotter Pin $\frac{1}{4}$ " x $1\frac{3}{4}$ "	2
N/S	2503179	No. 3 Plow Head Bolt $\frac{5}{8}$ " – 11NC x 2"	4



### EP-38 (OPTIONAL)

REF. NO.	PART NO.	DESCRIPTION	NO. REQ.
1	346621	End Plate	2
2	2503136	Bolt $\frac{5}{8}$ " – 11NC x 2" Carriage Head Grade 5	4
3	2502007	Washer $\frac{5}{8}$ " Springlock	4
4	2500013	Nut $\frac{5}{8}$ " – 11NC Full Hex	4

# LIMITED WARRANTY

Worksaver warrants its implements, parts and accessories to be free from defects in materials and workmanship for a period of six (6) months from date of purchase for non-commercial, state, and municipalities'. Use ninety (90) days for commercial use from date of retail sale.

## **SPECIAL WARRANTY PROVISION**

Warranty shall only apply to defects in material and workmanship. In no case shall the manufacturer be liable to the purchaser for the bending or breakage of any part of the blade by abuse or misuse, such as striking hidden objects, grubbing stumps, or using tractors larger than the blades maximum horsepower rating whether intentional or unintentional.

## **DISCLAIMER OF IMPLIED WARRANTIES & CONSEQUENTIAL DAMAGES**

Worksaver's obligation under this warranty, to the extent allowed by law, is in lieu of all warranties, implied or expressed, including implied warranties of merchantability and fitness for a particular purpose and any liability for incidental and consequential damages with respect to the sale or use of the items warranted. Such incidental and consequential damages shall include but not be limited to: transportation charges other than normal freight charges; cost of installation other than cost approved by Worksaver; duty; taxes; charges for normal service or adjustments; loss of crops or any other loss of income; rental of substitute equipment, expenses due to loss, damage, detention or delay in the delivery of equipment or parts resulting from acts beyond the control of Worksaver.

## **THIS WARRANTY SHALL NOT APPLY:**

1. If the unit has been subjected to misapplication, abuse, misuse, negligence, fire or other accident.
2. If parts not made or supplied by Worksaver have been used in connection with the unit, if, in sole judgement of Worksaver such use affects its performance, stability, or reliability.
3. If the unit has been altered or repaired outside of an authorized Worksaver dealership in a manner which, in the sole judgement of Worksaver affects its performance, stability or reliability.
4. To expendable or wear items such as skid shoes, cutting edges, and other items that in the company's sole judgement is a wear item.

NO EMPLOYEE OR REPRESENTATIVE OF WORKSAVER IS AUTHORIZED TO CHANGE THIS WARRANTY IN ANY WAY OR GRANT ANY OTHER WARRANTY UNLESS SUCH CHANGE IS MADE IN WRITING AND SIGNED BY WORKSAVER'S SERVICE MANAGER, POST OFFICE BOX 100, LITCHFIELD, ILLINOIS 62056-0100.

# SAFETY PRECAUTIONS

**MOST ACCIDENTS OCCUR BECAUSE OF NEGLIGENCE OR CARELESSNESS.  
AVOID NEEDLESS ACCIDENTS BY FOLLOWING ALL OF THE SAFETY PRECAUTIONS LISTED BELOW.**

- Machinery should be operated only by those who are responsible and are authorized to do so.
- Stop the engine, lower all equipment, lock the brakes, and remove the ignition key before dismounting from the tractor.
- Never stand between tractor and implement while tractor is being backed to hitch.
- Loose fitting clothing should not be worn, to avoid catching on various parts.
- Detach implement in area where children normally do not play.
- When performing adjustments or maintenance on an implement, first lower it to the ground or block it securely at a workable height.
- Only a qualified operator should be permitted on tractor when in operation; no riders allowed.
- Make certain everyone is in the clear before starting tractor or raising or lowering equipment.
- Operate the tractor and implement only while seated in the driver's seat.
- Reduce speed when transporting mounted implements to avoid bouncing and momentary loss of steering control.
- A heavy load can cause instability of the tractor. Use extreme care during road travel. Slow down on turns and watch out for bumps. Tractor may need front counterweights to counter-balance the weight of the implement.
- Reduce speed on hillsides or curves so there is no danger of tipping.
- Avoid driving too close to the edge of ditches or creeks.
- Do not transport implement on public roads without reflectors and slow moving vehicle emblem in daylight and with approved warning lights at night and other periods of poor visibility.
- Due to the width of some implements, use extra caution on highways, farm roads, and when approaching gates.
- Always be sure the implement is in the proper position for transport.
- Keep alert and watch the front as well as the rear when working with the implement.

## OWNER'S/ OPERATOR'S MANUAL

### MODEL NO.'s

**UB-645**

**UB-745**

**UB-650-T**

**UB-750-T**

**UB-850-T**

JANUARY 2002

## 3 PT. REAR MOUNTED BLADE

For Cat. I 3 Pt. Hitch Tractors  
up to 50 H.P.

**WHEN ORDERING REPAIR PARTS,  
ALWAYS GIVE THE  
FOLLOWING INFORMATION:**

1. PART NUMBER
2. PART DESCRIPTION
3. MODEL NUMBER
4. NAME OF ITEM

**MAKE EVERY DAY  
A HOLIDAY  
FROM ACCIDENTS!**

WORKSAVER, INC.

P.O. BOX 100 LITCHFIELD, IL 62056-0100 (217) 324-5973  
WEB: <http://www.worksaver.com> E-MAIL: [sales@worksaver.com](mailto:sales@worksaver.com)